

Catalog Number: _____ Project Name: _____ Note: _____ Date: _____ Type: _____

DESCRIPTION



- LED split deep regress commercial downlight series are available in 3 different light engine. Each light engine could fitting 6" , 8" , 10" round trims.
- The innovative separable design of junction box and trim makes it more flexible. One engine allows for seamless integration of multiple trim sizes with easy and tool-free installation.
- Easy-fit installation comes from the adjustable butterfly clips. It is designed for recessed application.
- It is suitable for commercial and public places and elegantly decorates the ambience, such as shopping mall, hospital, airport, hotel lobby etc.

FEATURES

- Spun aluminum reflector integrate with haze finish and white trim ring with shadow free.
- Durable tension clips, allow for fast and easy flush installation.
- 0-10V dimmable.
- Available in 3 wattages and 5 CCT tunable.

TECHNICAL SPECIFICATION

VOLTAGE	120-277V
POWER FREQUENCY	50/60Hz
POWER FACTOR	>0.9
5CCT	2700K 3000K 3500K 4000K 5000K
CRI	90
BEAM ANGLE	100°
MATERIAL	AL+PC
COLOR	Black+Silver
LIFESPAN	≥50,000hours
OPERATING TEMP	(-4°F~ 113°F) -20~45°C
DIMMABLE	0-10V dimmable
RATING	Suitable for Wet Locations
WARRANTY	5 year limited



INSTALLATION

Easy assembly, tool-free installation.

ELECTRICAL

This fixture is built with the highest quality drivers, ensuring energy efficiency.

ENERGY SAVINGS

80% more energy savings than halogen lamps.

LISTING

ETL Listed.



MODEL	TRIM	WATTAGE	LUMEN
SPCM25DR05	DT-6R	15W-20W-25W	1350lm/1850lm/2350lm
	DT-8R		1500lm/2000lm/2500lm
	DT-10R		1600lm/2100lm/2650lm



MODEL	TRIM	WATTAGE	LUMEN
SPCM45DR05	DT-6R	25W-35W-45W	2250lm/3150lm/4050lm
	DT-8R		2350lm/3300lm/4250lm
	DT-10R		2500lm/3500lm/4500lm



MODEL	TRIM	WATTAGE	LUMEN
SPCM65DR05	DT-6R	45W-55W-65W	3850lm/4700lm/5550lm
	DT-8R		4050lm/4950lm/5850lm
	DT-10R		4300lm/5250lm/6150lm

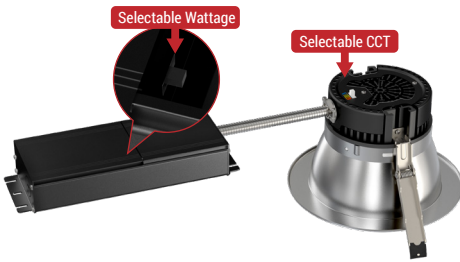
Catalog Number : Project Name : Note : Date : Type :

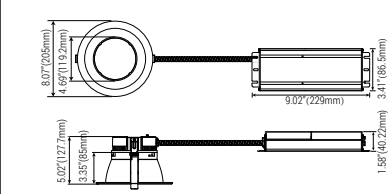
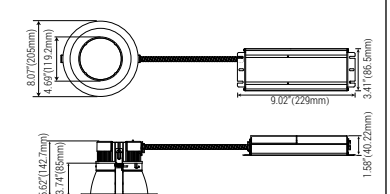
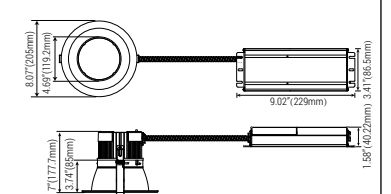

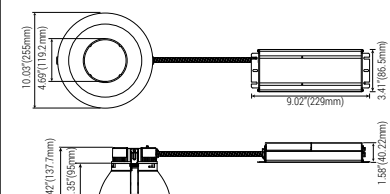
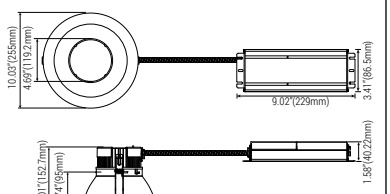
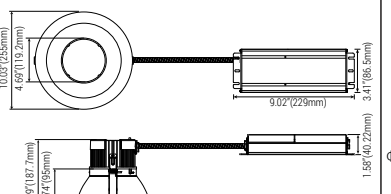
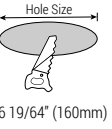
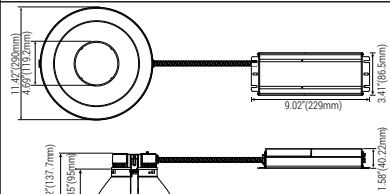
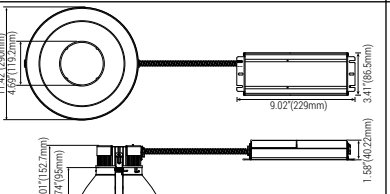
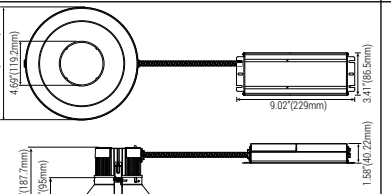
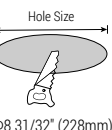


Selectable CCT & Selectable Wattage

The innovative separable design of junction box and trim makes it more flexible.

Easy-fit installation comes from the adjustable butterfly clips.



	6" Light Engine	8" Light Engine	10" Light Engine	Hole Cutout
6" Round Trim				 <p>4 21/64" (110mm)</p>
8" Round Trim				 <p>6 19/64" (160mm)</p>
10" Round Trim				 <p>8 31/32" (228mm)</p>

RECOMMENDED DIMMER

LUTRON				LEGRAND
RMJS-8T-DV-B	Diva DVSTV	MS-Z101-WH	DVSTV-WH	RH4FBL3PW