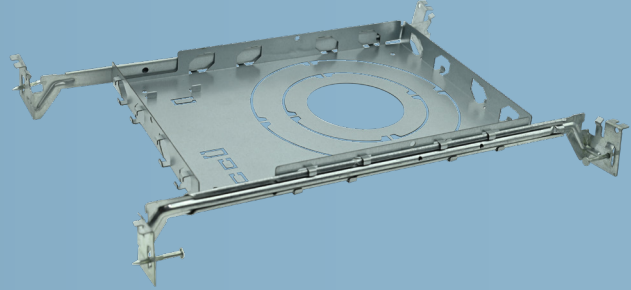


Catalog Number :	Project Name :	Note :	Date :	Type :
------------------	----------------	--------	--------	--------

DESCRIPTION

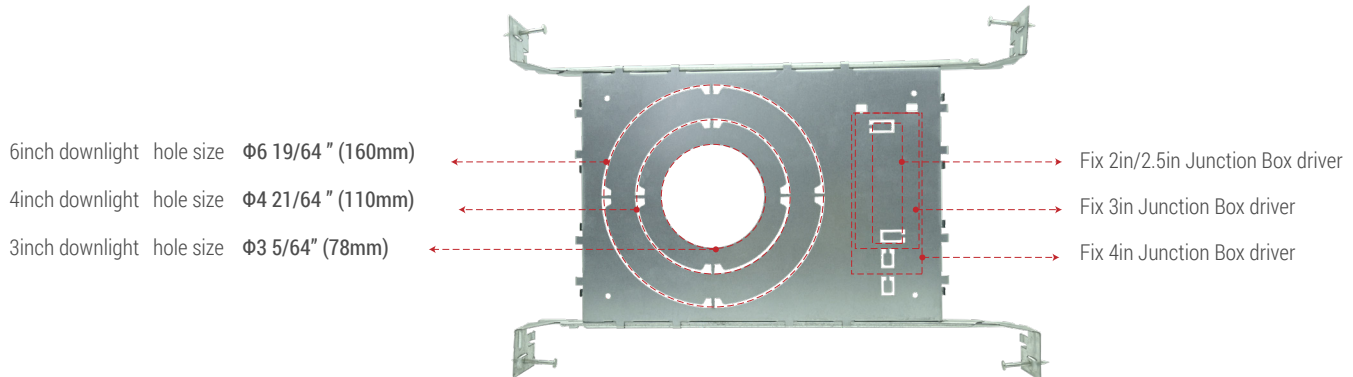
New Construction mounting plate is made of galvanized iron.
Compatible with 3 types of hole size.
Equipped with a power card slot, easy to install.
Suitable for both new construction joist and T-Grid applications.



Basic parameter

Model	RD-MF01	Dimension	14.18"*10.48"*1.46" / 360.25*266.21*37mm
Installation method	Recessed	Package size	23.62"*16.34"*9.25" / 600*415*235mm(20PCS)
Suitable for light type	3/4/6inch downlight	Material	Galvanized iron
Hole size	Φ3 5/64" Φ4 21/64" Φ6 19/64"	N.W.	500g ±50g

Diagrammatic sketch



Dimension

